

ACFEE ACTIVE POWER FILTER

AcFee APF (V3.0)

Operation manual



Lafaelt
LAFANELT ELECTRIC

Safety Instructions



These safety instructions apply to all active power filter device of our company.

Ignoring these instructions could result in personal injury and death.



■ **Specific Purpose** ^{Live Operation Forbidden!}

Active power filter (APF for short, the same below) is a new generation of power quality control device, which is mainly used for harmonic control.

Please pay attention to whether there is reactive power compensation device composed of passive components such as capacitors and reactors in the same system. If the settings are improper, APF may conflict with these passive compensation device, or the compensation ability cannot be fully exerted.

■ **Operator Qualification**

Only qualified personnel engaged in electrical work are allowed to operate this device.

The installation, operation monitoring and fault repair of APF can only be operated by professionals, and the personnel who operate

AcFee Active Power Filter

the device must be familiar with this manual.

■ Exemption from Liability

The content of the user manual describes the characteristics of the product, but is usually not a guarantee.

If you encounter any questions and problems, please contact us in time to avoid irreparable accidents!

Catalogue





Safety Instruction	错误!未定义书签。
About This Manual	错误!未定义书签。
Brief Instruction	错误!未定义书签。
Model Description.....	错误!未定义书签。
AcFee Series APF Features	5
Technical Specifications.....	错误!未定义书签。
Working Principle.....	错误!未定义书签。
Dynamic and Steady-State Features of APF.....	12
Initial Inspection and Installation.....	13
Initial Inspection.....	15
Location Selection	15
Device Handling	17
Installation Environment	错误!未定义书签。
Touch Screen Dimension.....	错误!未定义书签。
APF Dimension.....	20
Optional Accessories Installation	22
External Incoming Cable Specification.....	错误!未定义书签。
User Operation Guideline	错误!未定义书签。
Main Menu	错误!未定义书签。
Real-time Date	28
Model Information.....	错误!未定义书签。
User Setting.....	31
Communication Setting	错误!未定义书签。
Carbinet Setting.....	错误!未定义书签。
System Setting	34
Operation Control	错误!未定义书签。
Current Records	错误!未定义书签。
History Records.....	错误!未定义书签。
List of Common Faults	39
APF Communicaiton Data Point Table.....	错误!未定义书签。
After-Sales Service.....	错误!未定义书签。

About This Manual

Before installing and operating the SVG, this manual should be read carefully. This manual contains the necessary information for the perfect performance of the device and to avoid incorrect operation.

The following symbols, terms and names are used in this manual.

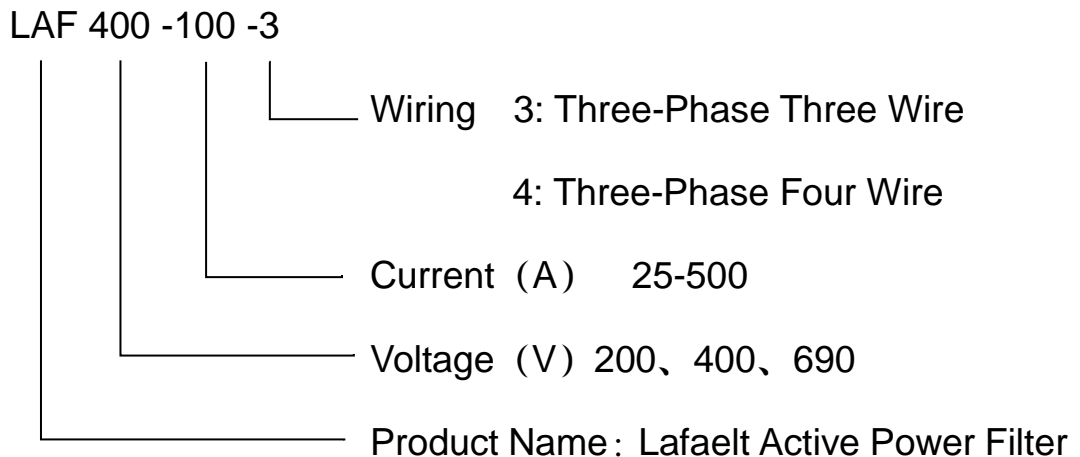
Table1 Use of symbols, terms and names

	Note
ATTENTION!	Follow the instructions in the manual to prevent device damage
	Follow the instructions in the manual to prevent device damage and personal injury
 Warning	Follow the instructions in the manual to prevent serious accidents
 Danger	Follow the instructions in the manual to prevent serious accidents and fatal injury
 Danger	Follow the instructions in the manual to prevent serious accidents and fatal injury caused by dangerous voltage
【Note】	Please pay attention to the content in [Note] for explanation

Instruction

Our company wholeheartedly solves power quality problems for users. APF has unprecedented comprehensive power quality management capabilities. APF can filter out harmonic numbers ranging from 2nd to 51st orders at the same time, the filtering ability can reach more than 97%, the power factor of reactive power compensation can reach more than 95%, and the complete compensation time for step-change harmonics is less than 10ms. Multiple APFs can run in parallel at the same time, and the efficiency of the whole machine is greater than 97.5%. It is completely suitable for various situations in the industrial and civil fields, and is the best solution for nonlinear load harmonic control and reactive power compensation.

■ Model Description



■ AcFee Series Features

1. Modular design, the failure of any module will not affect the normal operation of other modules, which greatly improve the reliability of the whole machine.

AcFee Active Power Filter

2. It can simultaneously filter out the harmonic current below the 2nd to 51st orders, or select order compensation. Reactive power compensation can make the power factor reach 1. It can correct unbalanced three-phase current to complete balance. Reactive power can be compensated and harmonics be controlled at the same time.
3. Dual-core DSP is used for algorithm processing, the calculation rate is much higher than that of single-core DSP control mode, the response speed is faster, and the anti-interference ability is extremely strong. Using sliding window iterative DFT detection algorithm, the calculation speed is fast, the instantaneous response time is less than 0.1ms, and the device compensation response time is less than 10ms.
4. Provide more than 20 kinds of protection functions, for example: different levels of overvoltage and overcurrent will trigger different levels of software/hardware protection; over temperature and overcurrent can trigger load shedding protection.
5. Onsite CT wiring location can choose load side or grid side for sampling. CT direction is optional, just make sure that the three phases are in the same direction.
6. It can be paralleled with any LC passive device onsite without resonance.
7. A reliable current limiting control link is adopted, when the current to be compensated is larger than the rated capacity of the APF, the device can limit the current at 100% of the

AcFee Active Power Filter

output automatically, maintain normal operation, and will not happen faults such as overload or burned ;

8. The main circuit adopts tri-level three leg, with high output waveform quality and low switching loss.
9. It adopts a 7-inch high definition touch screen, which is easy to operate. The screen displays operating parameters of the system and device in real time, with faults alarm and recall function. At the same time, you can use the dual serial port function of the touch screen to upload data to the 4G cloud platform or a computer that supports RS485 for remote monitoring.
10. The APF input terminal is designed according to the second level lightning protection, and is equipped with reliable surge protectors, which play a protective role in lightning strikes to avoid device damaging.
11. With layered design, dust will not adhere to the circuit board, which is suitable for use under harsh working conditions.

AcFee Active Power Filter

■ Technical Specifications

Table 2 Technical Specifications

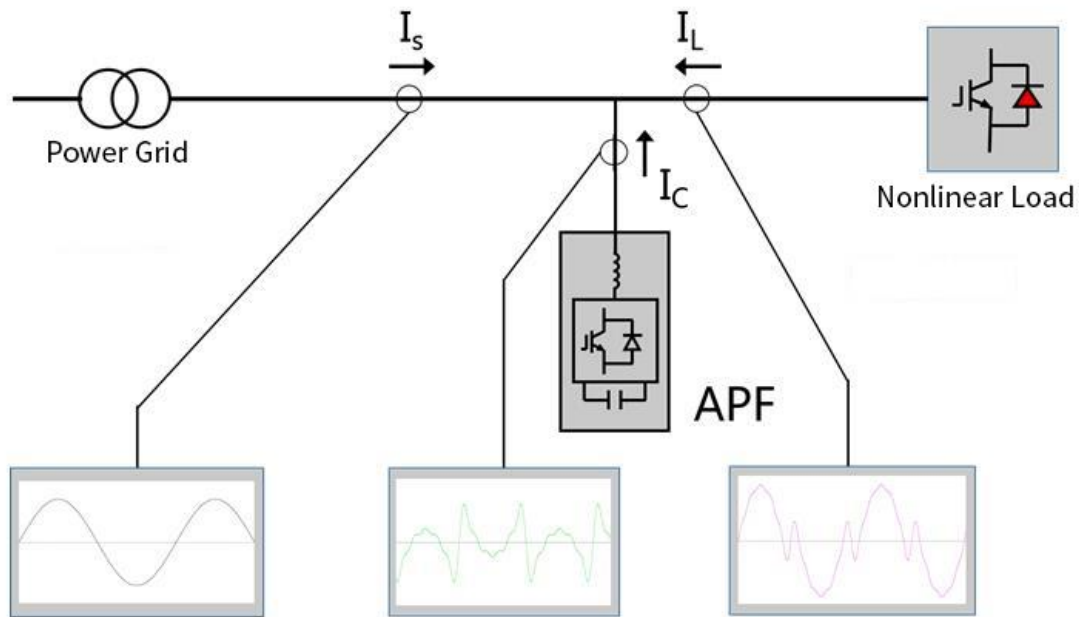
Specifications	Module Specification	APF			
		50A	75A	100A	150A
Input	Working Voltage	200V/400V/690V ($\pm 15\%$)			
	Working Frequency	50Hz (-10% ~ +10%)			
	Current Transformer	100:5 ~ 10000:5			
Function	Harmonics Compensation	2nd-51st			
	Harmonics Rejection Rate	>97%			
	Compensation for Reactive	-1~+1 adjustable			
Protocol	Communication Method	RS232, 485, Modbus Protocol, CAN, TCP/IP Optional			
	Communication Interface	RS485, CAN, Net Port			
	PC Software	Yes, all the parameters can be set through PC computer			
	Fault Alarm	See the list of common faults at the end of the page			
	Monitor	Support independent monitoring of each model/centralized monitoring of the whole machine			
Technical Indicators	Full Response Time	<10ms			
	Active Loss	<2.5%			
	Cooling Method	Smart Air Cooling			
	Noise	<65dB			
	Sample/Control Frequency	15~20kHz			
	Equivalent Switching Frequency	15~20kHz			
	Protection	More than 20 kinds of protection such as over-voltage, under-voltage, over-heat, over-current, short-circuit			

AcFee Active Power Filter

	CT Install Location	Load side/Grid side Optional
Mechanical Properties	Single Machine Size	See APF dimension drawing for details (P13-15)
	Weight	25kg~40kg
Environment Requirements	Working Temperature	-10°C~+45°C
	Altitude	<5000 meters (Above 1500 meters, the capacity will reduce 1% for every additional 100 meters)
	Relative Humidity	<90%(25°C)
	Protection Class	IP20 (Higher protection class can be customized)

AcFee Active Power Filter

■ Working Principle



Picture1 APF Working Principle Chart

1. Working Principle

User can set parameters so that the device can simultaneously have the function of filtering harmonics, dynamic reactive power compensation, and three-phase unbalance compensation.

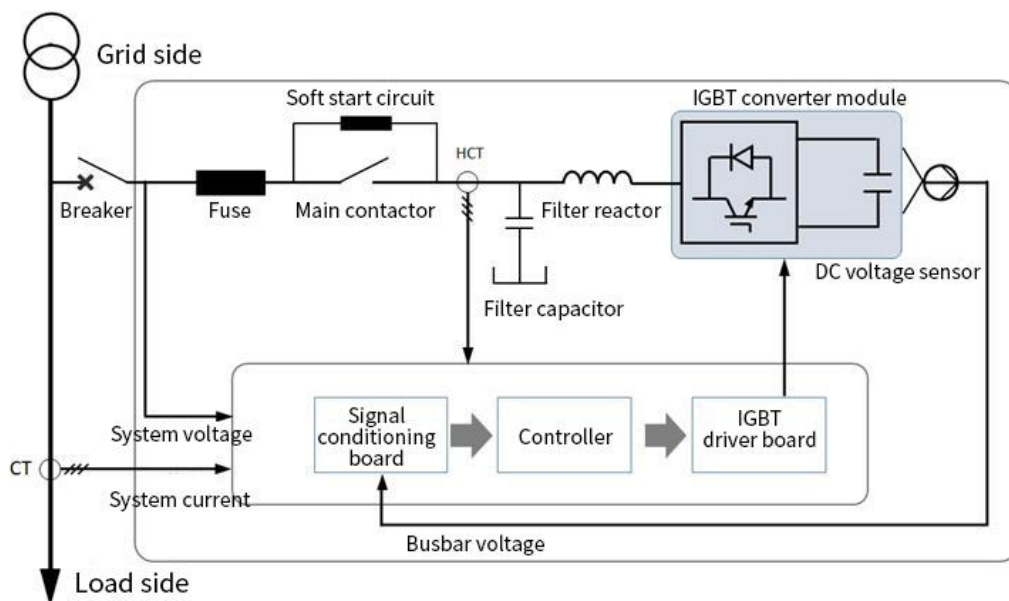
The principle of filtering harmonic is that APF collects the current signal in real time through current transformer, separates the harmonic part through the internal detection circuit, and generates equal to but opposite phase compensation current through IGBT power converter, to realize the function of filtering harmonic function.

The APF output compensation current changes dynamically and accurately according to harmonic content of the system, so there will be no over-compensation problem. In addition, there is internal overload protection function, when the harmonic content is larger than the APF capacity, the device can

automatically limit the output to 100% of the rated capacity, no overload will happen.

The principle of three-phase unbalance compensation is that APF collects system current signals in real time through external current transformers and sends them to DSP for real-time calculation to judge where the system current is in an unbalanced state, and at the same time calculates the current difference of each phase when it reaches a balanced state. According to the current difference, closed loop and dynamically output PWM signal to control and drive IGBT to invert current of each phase, and control its natural transfer between the three phase, to make the current of system to reach a balanced state.

2. Principle of APF Internal Control



Picture2 APF internal control Schematic

As shown in Picture2, after the circuit breaker is closed, in order to prevent instantaneous impact from grid to DC bus capacitor when the power is turned on, APF first charges to DC busbar

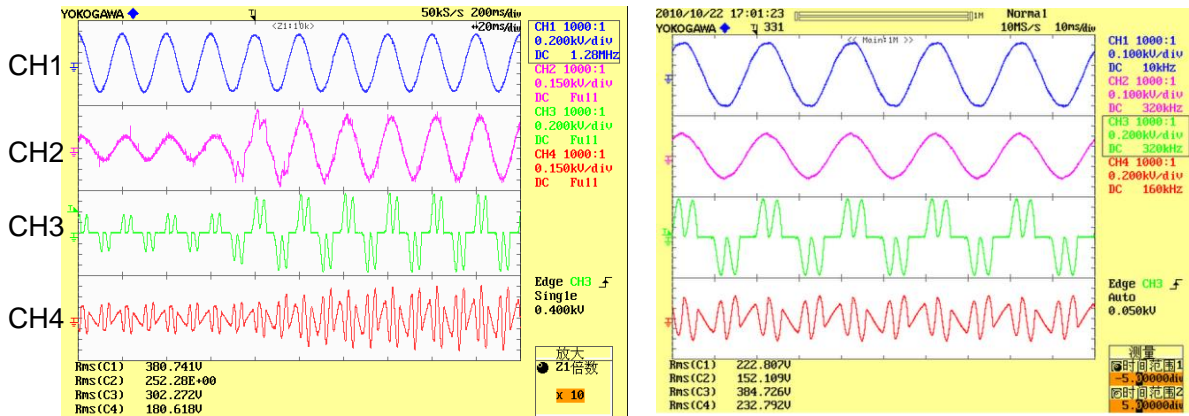
AcFee Active Power Filter

capacitor through the soft start circuit, and the process lasts for more than ten seconds. DC capacitor acts as an energy storage device, and supplies energy by outputting compensation current through IGBT and internal reactor. DC capacitor acts as an energy storage device, and supplies energy by outputting compensation current through IGBT and internal reactor. APF collects current signal in real time through external CT and sends it to signal conditioning circuit, then sends it to controller. The controller separates the fundamental wave components, extracts all harmonic current, reactive power current, and three-phase unbalance current, and compares the collected current components with the compensated current send by APF to obtain the difference, and output to the drive circuit as a real-time compensation signal, which triggering the converter module to inject the compensated current to grid to realize closed-loop control and complete the compensation function.

■ **Dynamic and Steady-state Characteristics of APF**

APF is particularly worth mentioning for its superior dynamic and steady-state characteristics. The figure below shows the dynamic characteristics of APF when the load changes and the steady-state characteristics at full load.

AcFee Active Power Filter



CH1 : Mains Voltage ; CH2 : Mains Current (Compensation Target) ; CH3 : Load Current ; CH4 : Device Current	
Dynamic characteristic at sudden load changes: response time <math>< 10\text{ms}</math>	Steady-state characteristics at full load: THDi compensated from >70% to <math>< 3\%</math>

Picture3 Dynamic and steady-state characteristics




Initial Inspection and Installation



This chapter introduces the relevant requirements that must be considered when selecting the location and wiring of the APF and its related device.

Due to the particularity of each site, this chapter does not introduce detailed installation steps, but only provides guidance for installers in general installation steps and methods, and the installer will handle it according to the specific conditions of the site.

Attention!	<ul style="list-style-type: none"> ● Requires three-phase four-wire or three-phase three-wire to input power ● The standard APF system can be connected with three-phase four-wire (grounding) TN, TT and IT AC power distribution system (IEC60364-3) and three-phase three-wire AC power system.
-------------------	--

AcFee Active Power Filter

	<p>If used in an IT AC distribution system, a 4-pole circuit breaker should be configured for the input, and reference can be made to relevant IT system standards</p>
 Warning	<ul style="list-style-type: none">● The APF can only be powered on with the approval of the commissioning engineer.● Installation of the APF should be performed by a qualified engineer with the instruction of this manual. The APF involved in this manual is shipped with detailed mechanical and electrical installation information.
 Danger	<p>Mainly refer to the fatal danger caused by short circuit, electric shock caused by ungrounded or contact with liquid.</p> <ul style="list-style-type: none">● Make sure the APF is grounded.● Start the APF where liquid around is not allowed.● Put APF in a high humidity environment is not allowed. <p>Make sure to remove or open the cover/door with the APF powered off. In particular, please note that after the circuit breaker in the cabinet is powered off, the upper part of the circuit breaker is still charged, so the upper switch should be disconnected to ensure absolute safety.</p>
	<p>Poor Ventilation</p> <p>Poor ventilation or heat dissipation can cause overheating and damage the machine.</p> <ul style="list-style-type: none">● Vent openings are not allowed to cover.● If installed in a switch cabinet, ensure that the heat source has been removed, and the device is in the air duct of the cabinet.

  Danger	<ul style="list-style-type: none">● Parts behind protective cover that require tools to open are not user-operable parts.● Tearing the anti-tear label without permission is regarded as giving up the manufacturer's maintenance service.● Strong recommendation: Although the rack-mounted APF has its own circuit breaker, this manual still recommends users install a circuit breaker between APF and the mains for isolation, and disconnect the breaker during maintenance to ensure absolute safety.
--	---

■ Initial Inspection

Following checks should be done before the APF installation:

1. Visually inspect the exterior and interior of the APF for shipping damage. In case of damage, notify the carrier immediately.
2. Check the product label to confirm the correctness of the device. A nameplate is attached to the device shell to indicate the APF model, capacity and main parameters.

■ Position Selection

1. APF installation selection

The APF is designed for indoor installation and should be installed in a clean environment with good ventilation to ensure that the ambient temperature meets product specifications.

The APF is cooled by internal fans, the cool air enters the APF through the air grille in front of the APF cabinet, and the hot air is exhausted through the air grille at the rear of the

AcFee Active Power Filter

APF cabinet. Do not block the vents.

Due to the air duct isolation, there is no need to install a dust filter in general environment, but for harsh environment, such as high temperature, high humidity, and a lot of conductive dust environment, please contact our product engineers when making on-site application solutions, and confirm the specific heat dissipation scheme.

There is a main touch screen on the front panel of the APF cabinet, which is used for centralized operation and display of running status. Each module can independently set its own parameters and query status.

The APF is installed in a cabinet, there are power terminals and CT input terminals at the cable inlet end of the APF chassis. In order to facilitate the maintenance of the APF during daily operation, in addition to meeting the local regulations, sufficient space should be reserved for facilitate maintenance personnel to access cables.

Attention!	<ul style="list-style-type: none">● The installation method is the cabinet mode, at least 600mm of ventilation space and rear maintenance space must be reserved at the front and rear outlets of the cabinet.● If necessary, indoor exhaust fans or air conditions should be installed to avoid room temperature increasing.
------------	--

2. Storage

If there is no need to install the APF immediately, please store the APF indoor to avoid excessive humidity or high

temperature.

■ Device Handling

Attention!	<ul style="list-style-type: none"> ● Since the weight of a single APF module is 30kg-55kg, it is recommended to be transported by two people within a short distance, if transported over a long distance, it needs to be completed with the help of transportation device.
------------	--

■ Installation Environment

In order to prolong the service life, the choice of APF position should ensure:

1. Easy wiring
2. Have enough operation space
3. Good ventilation to meet heat dissipation requirements
4. No corrosive gas around
5. No source of excessive humidity and high temperature
6. Non-dusty environment
7. Comply with fire protection requirements

Please observe the environment and conditions in the table below:

Table 3 Installation Environment

Content	Condition	Attention
Altitude	<1500m	Device overvoltage is designed according to Class III standard
	From 1500m to 5000m	The device is derating by 1% for every 100m rise
Temperature	-10~40°C	Below -10°C, heating device should be installed in the cabinet Exceeds 40°C, ventilation or cooling facilities should be installed indoors

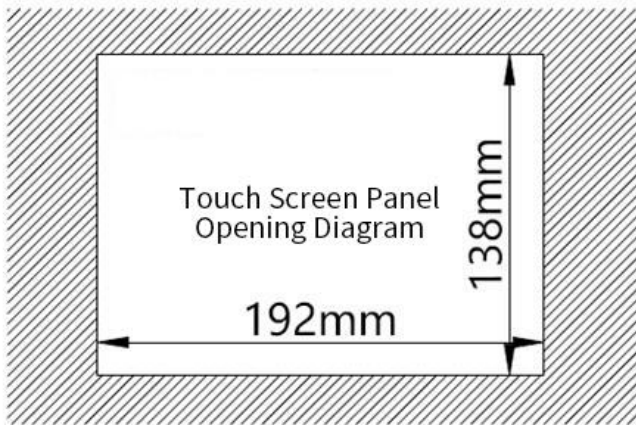
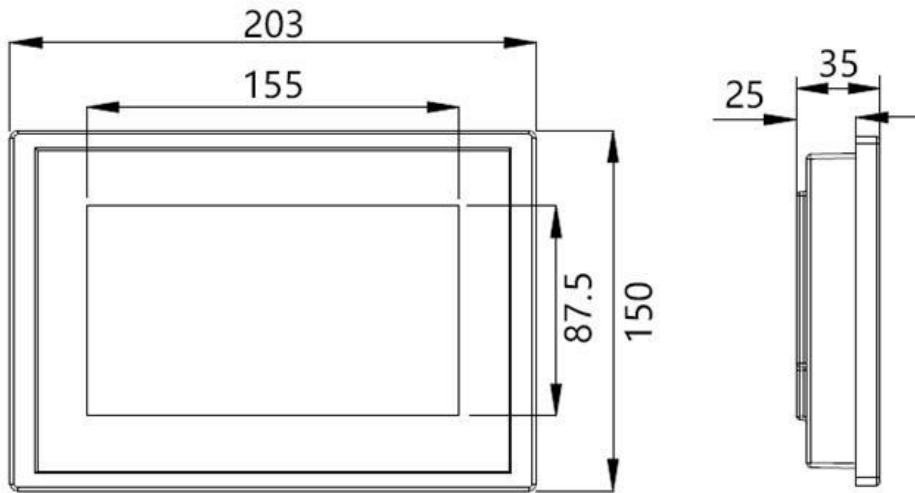
AcFee Active Power Filter

Humidity	<90%	For higher requirements, please contact the manufacture
Installation	Modular	At least 600mm of ventilation space should be reserved at the front and rear outlets of the cabinet

Table 4 Conditions of Module Installation

Position	Minimum Required Installation Space
Top	No need
Front side to front door panel (air inlet)	150mm
Back side to rear door panel (air outlet)	250mm
Left/Right side	No need

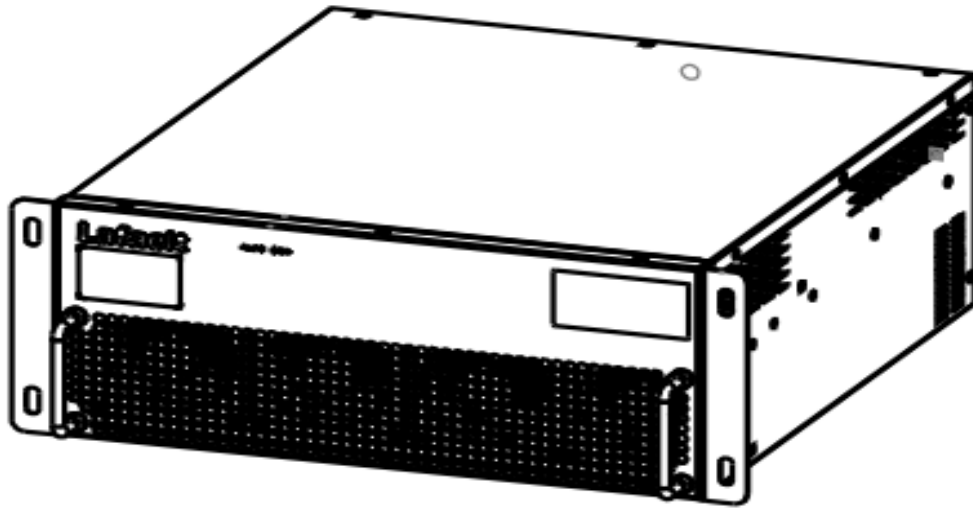
■ **Touch Screen Size Chart**



Picture4 Touch Screen Size

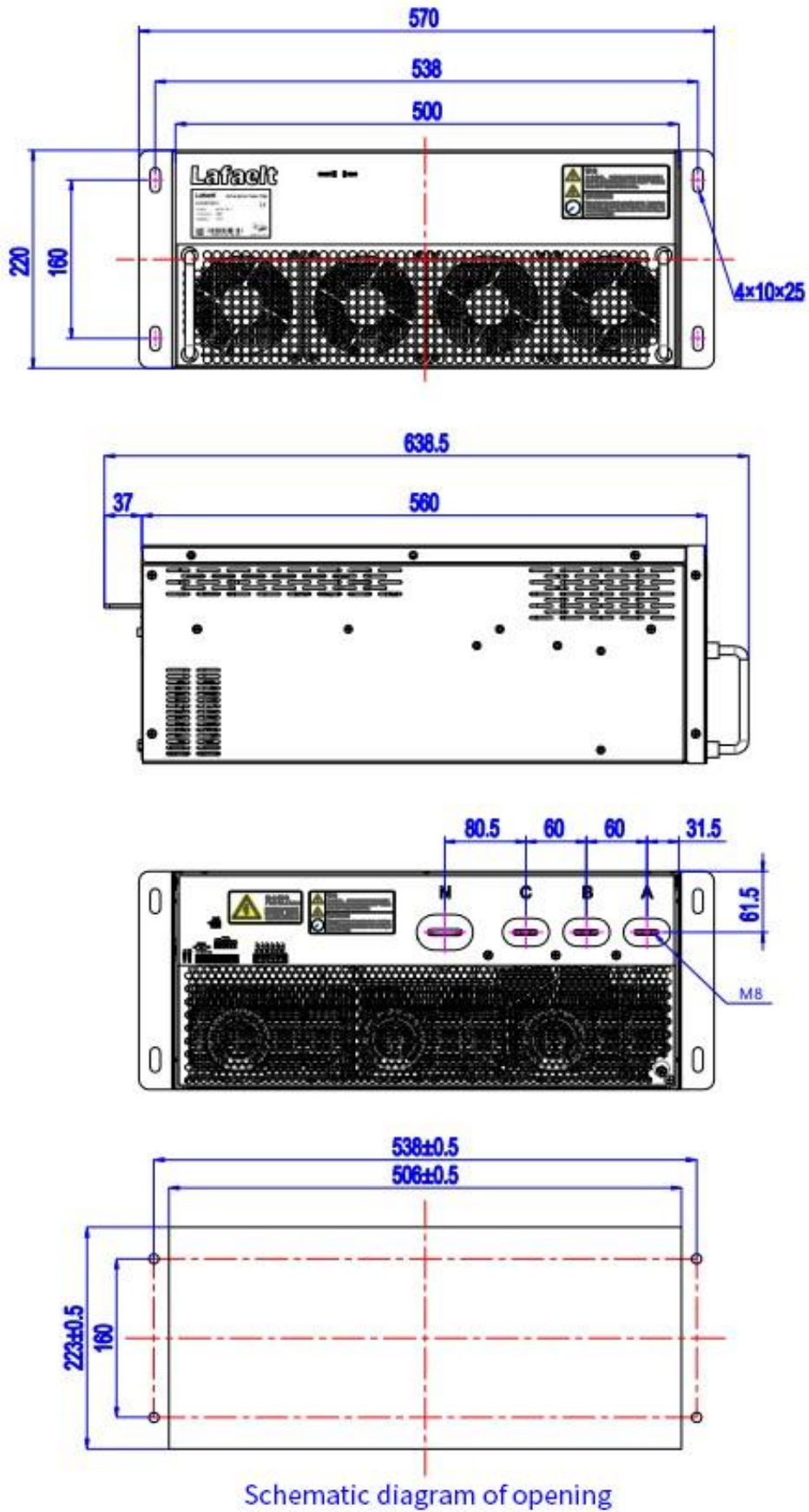
AcFee Active Power Filter

■ APF Dimension



Picture5 Schematic Diagram of Module Appearance

AcFee Active Power Filter



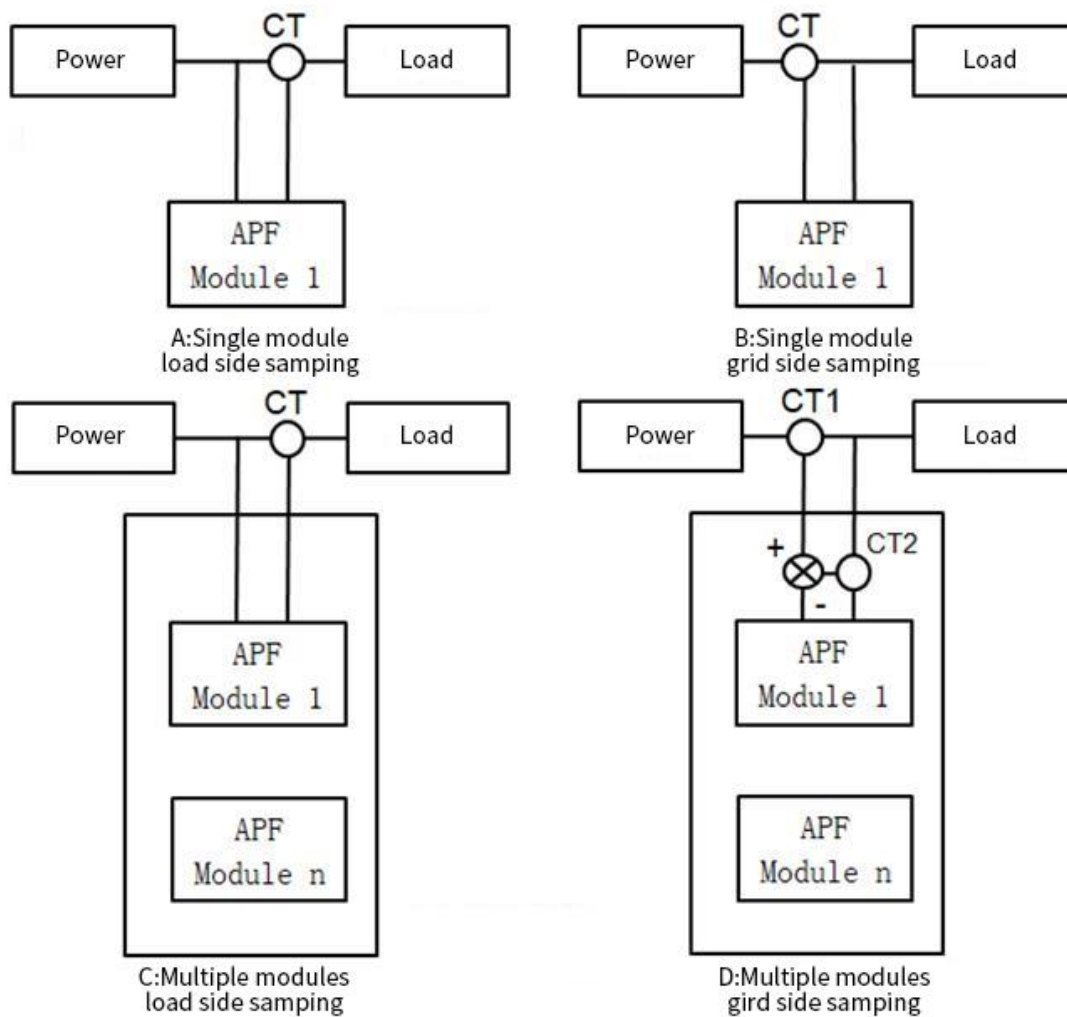
Picture6 Module Dimensions

AcFee Active Power Filter

■ Optional accessories installation

1. External Sampling CT

The APF is installed in parallel in the system, and the current transformer CT can be optionally connected to the grid side or load side on the touch screen, default is load side for installation. If the on-site sampling is on the power grid side, the CT signal of the power grid needs to be subtracted from the total output current CT signal of the device in the cabinet with multiple modules in parallel to obtain the load side current, which will be input into the module as the final sampling signal. There are the following wiring methods:

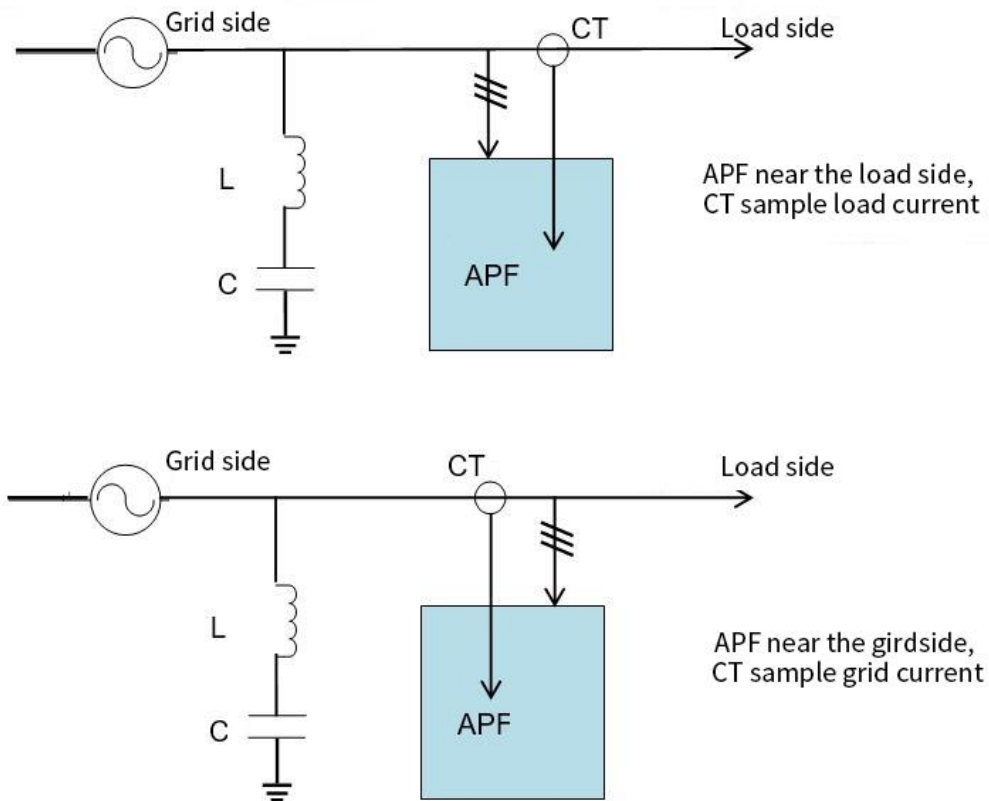


Picture7 Installation Diagram


AcFee Active Power Filter

In Figure6, if there are several modules in a cabinet, the total output current sampling CT2 is required in the cabinet to realize the sampling on the grid side.

For the wiring when APF and capacitor are used together, the principle is that the main incoming line point of APF is closer to the load than the capacitor. The reason is that APF compensates harmonics, the current flowing through is the fundamental wave when the APF access point faces the grid side, which is good for capacitor life.



Picture8 The position relationship between APF and capacitor compensation

 <p>Danger</p>	<p>If the current transformer is connected incorrectly, it may cause fatal by short circuit or electric shock</p> <ul style="list-style-type: none">● The power should be turned off before installing current transformer.
---	--

AcFee Active Power Filter

	<ul style="list-style-type: none"> ● Make sure that the current transformer is in a short circuit status until the CT connect terminals of the APF are connected. ● Short-circuit the current transformer with the separable short-circuit terminal before separating the current transformer and APF.
--	--

External CT Specification

Option	Model	Note
External CT Components	Chosen by Customer	The current transformation ratio can be freely selected from 100/5-10000/5. In view of AD sampling accuracy, too large CT transformation ratio will reduce the compensation accuracy.

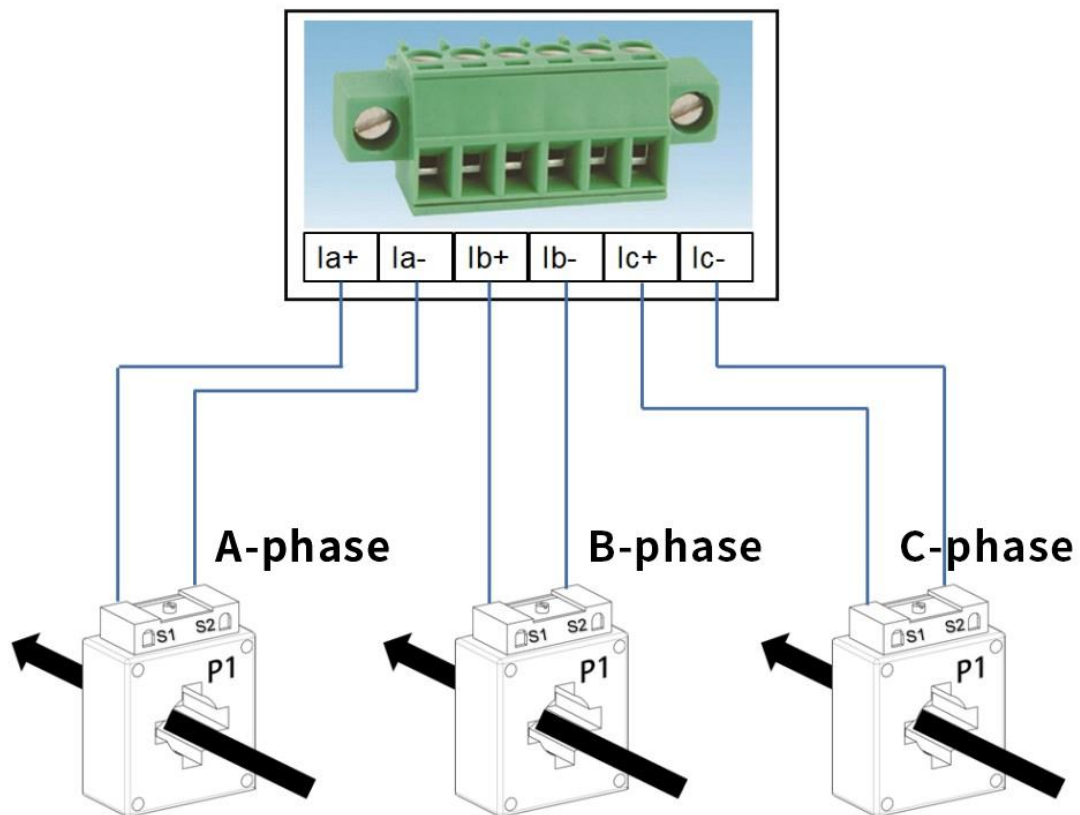
Table5 Current Transformer Specification

Parameters	Specification
Rated Secondary Current	5A
Rated Primary Current	The primary current must be selected based on the maximum effective value of the current (Example: starting current 800A→use current transformer 1000A:5A)
Accuracy Class	Level 0.2 or 0.5
Rated Load (VA)	10 and above

① Wiring of current transformer when a single APF module is running.

In order to ensure that the current can be detected correctly, pay attention to the current direction and phase sequence of the current

transformer.



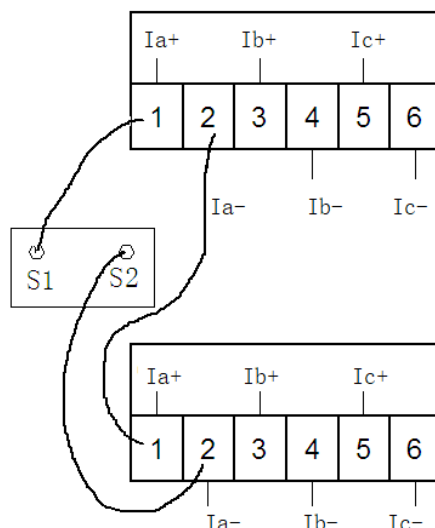
Picture9 Wiring of current transformer when a single APF module running

② Wiring of current transformer when multiple APF modules running in parallel.

The parallel operation of APF modules can increase the compensation current value.

When multiple APFs are connected in parallel, they share a set of current transformers, and the CT secondary side cables are connected in series.

AcFee Active Power Filter



Picture10 CT Cables Connection Diagram

【Note】 : The installation of the electric part of APF device must be carried out by trained and qualified engineers in accordance with the “Electrical Code”, and other personnel are strictly prohibited from installing. This manual only introduces basic content of the installation, for specific installation details, please refer to the Electrical Code.

CT cables choose 2.5mm² shielded twisted pair RVSP2×2.5 (length L<15m) , or choose 4mm² shielded twisted pair RVSP2×4 (length 15m<L<30m) .

■ External Incoming Cable Specification

Three-phase four-wire APF requires that the specifications of the two neutral cables must be the same as the phase cable, because the three and thrice times harmonics all flow through the neutral line, if the neutral line specification is reduced, it will cause danger.

The APF incoming cables under each current level are as follows:

Table 6 Cable Specification

Device Rated Current	50A	75A	100A	150A
BVR Cable (mm ²)	16	25	50	70

User Operation Guideline

APF can be operated through touch screen.

■ Main Menu

After the device is powered on, the screen is in the startup state, and the startup process lasts for about 10 seconds. After the startup is successful, if the system is normal, the following page will be displayed, and you can see the main status of the device.

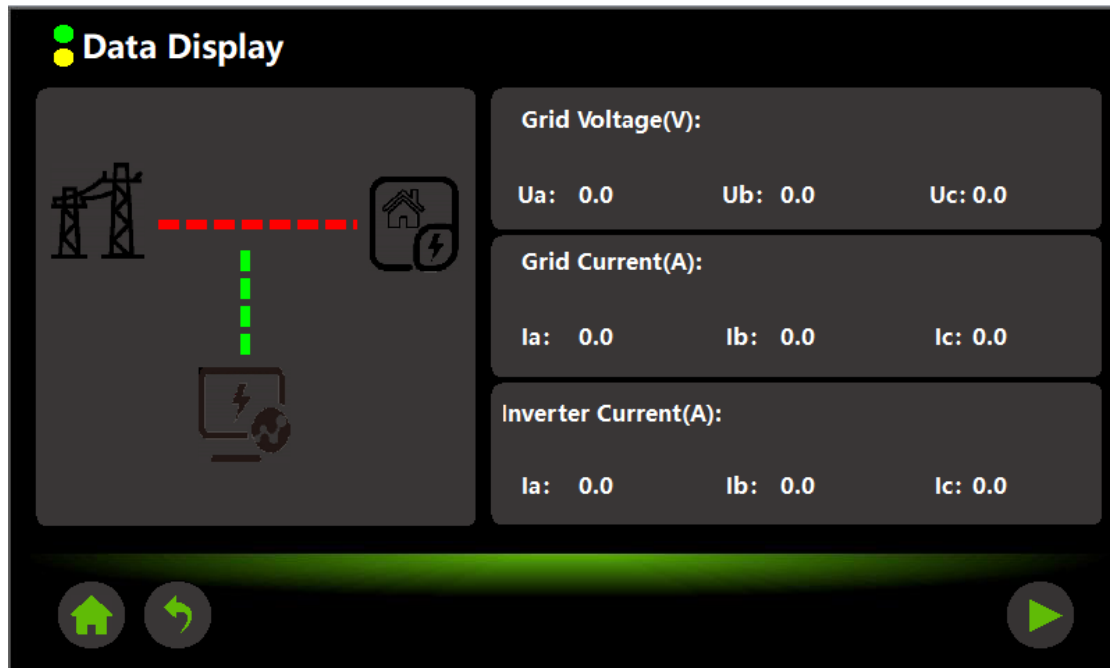


Picture11 Main Menu

There are eight parts in the main menu: real-time data, module information, user setting, real-time curve, operation control, current records, history records, manufacture information.

AcFee Active Power Filter

■ Real-time Data



Picture12 Real-time Data (Voltage, Current, Inverter Current)



Picture13 Real-time Data2 (Power Factor, Aberration Rate)

AcFee Active Power Filter

Data Display

Phase	3th(A)	5th(A)	7th(A)	9th(A)	11th(A)	13th(A)
A	0.0	0.0	0.0	0.0	0.0	0.0
B	0.0	0.0	0.0	0.0	0.0	0.0
C	0.0	0.0	0.0	0.0	0.0	0.0

Picture14 Real-time Date3 (Detect the magnitude of each harmonic current)

■ Module Information

Module Information Initialize

Module 1

	A	B	C		
Grid Voltage US(V):	0.0	0.0	0.0	F(Hz):	0.00
Grid Current Is(A):	0.0	0.0	0.0	Ti(°C):	0.0
Inverter Current Ic(A):	0.0	0.0	0.0	Te(°C):	0.0
BUS Dc(V):	Vdc	V+	V-	Th(°C):	0.0
	0.0	0.0	0.0		

Picture15 Module Information

AcFee Active Power Filter

Data Display

Phase	3th(A)	5th(A)	7th(A)	9th(A)	11th(A)	13th(A)
A	0.0	0.0	0.0	0.0	0.0	0.0
B	0.0	0.0	0.0	0.0	0.0	0.0
C	0.0	0.0	0.0	0.0	0.0	0.0

Picture16 Module Information2 (Detect the size of each harmonic current)

Module Information

Module 1

Grid Current	Phase A	Phase B	Phase C	Grid Voltage	Phase A	Phase B	Phase C
THDI(%)	0.0	0.0	0.0	Voltage	0.0	0.0	0.0
RMS(A)	0.0	0.0	0.0	Frequence	0.00	0.00	0.00
Load Curent	Phase A	Phase B	Phase C	iverter Currer	Phase A	Phase B	Phase C
THDI(%)	0.0	0.0	0.0	Load	-1.#J	-1.#J	-1.#J
RMS(A)	0.0	0.0	0.0	RMS(A)	0.0	0.0	0.0

Picture17 Module Information3

Module Information

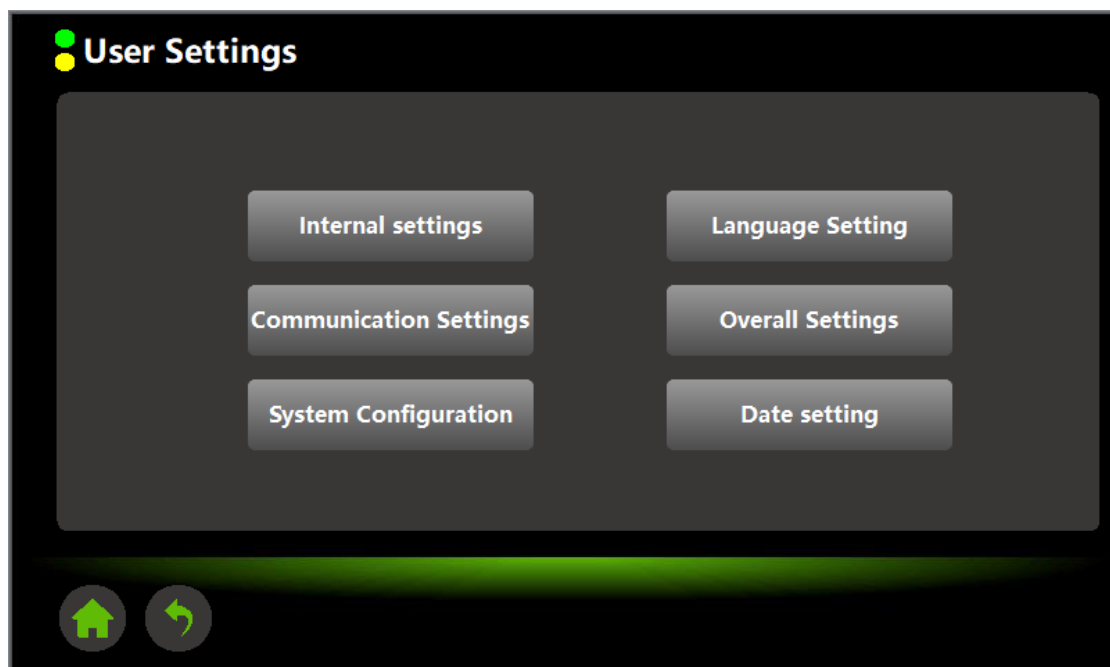
Module 1

		Active Power (KW)	Reactive Power (Kvar)	Apparent power (KVA)	Cos(phi)
Grid Side	Phase A	0.000	0.000	0.000	0.00
	Phase B	0.000	0.000	0.000	0.00
	Phase C	0.000	0.000	0.000	0.00
Load Side	Phase A	0.000	0.000	0.000	0.00
	Phase B	0.000	0.000	0.000	0.00
	Phase C	0.000	0.000	0.000	0.00

Picture18 Module Information4

■ User Setting

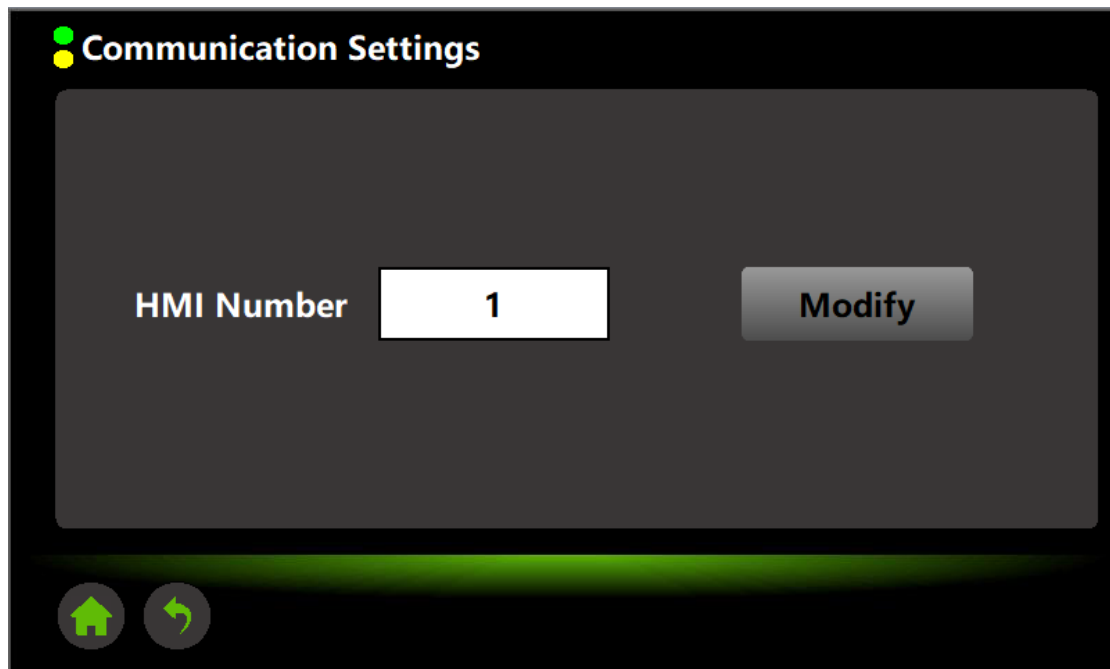
Click User Setting, enter technician user password:8888 to enter the user settings page



Picture19 User Setting

AcFee Active Power Filter

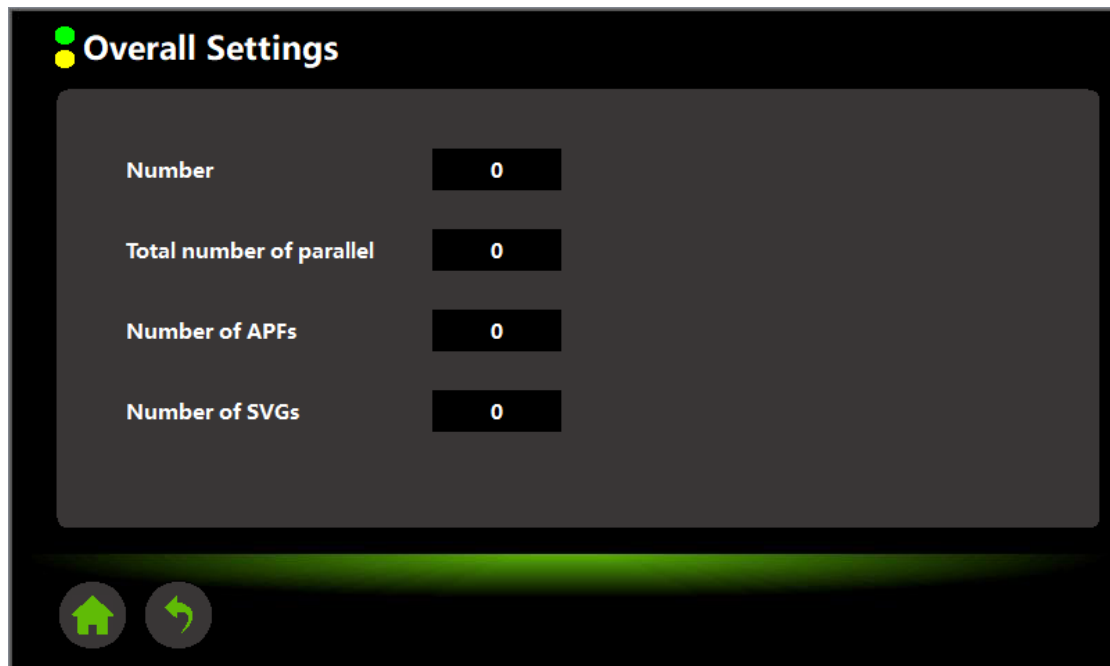
■ Communication Setting



Picture20 Communication Setting

The HMI number has been set to 1 by default before leaving the factory.

■ Overall Setting



Picture21 Overall Setting

Number of units in the cabinet: corresponding to the number of

AcFee Active Power Filter

modules in the cabinet.

The number of all parallel units: for the total number of modules in the master and slave machines.

APF units: The number of corresponding modules of mixed cabinet (o for non-mixed cabinets)



Machine NO.	Code dial setting
1#	0 0 0
2#	1 0 0
3#	0 1 0
4#	1 1 0
5#	0 0 1
6#	1 0 1
7#	0 1 1
8#	1 1 1

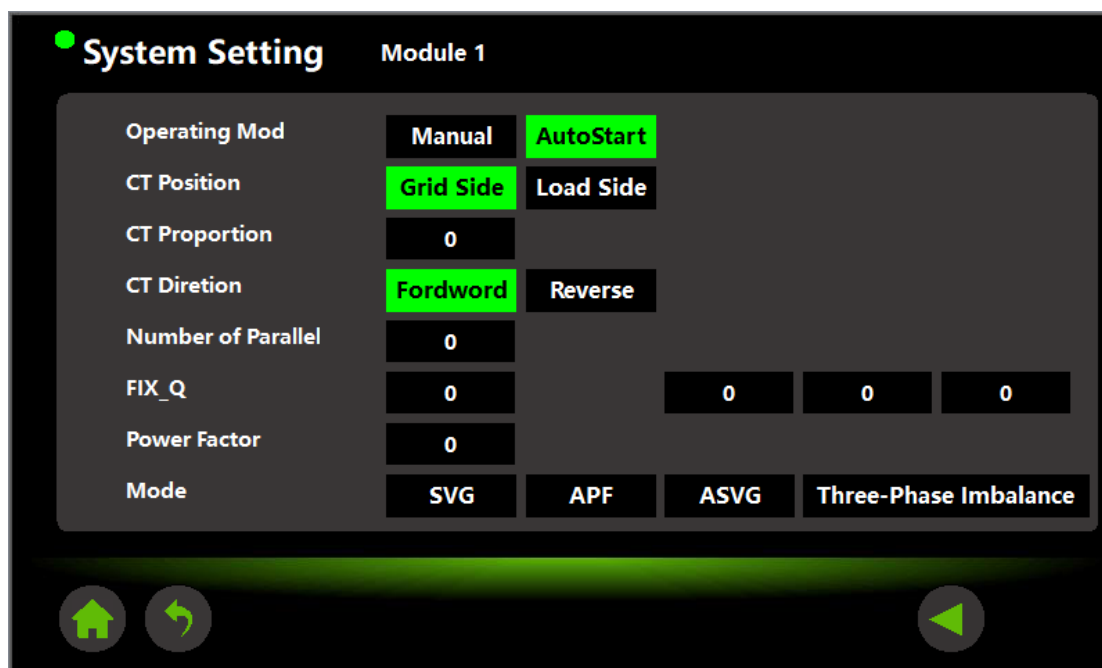
Picture22 DIP Setting

When there are multiple modules in the whole cabinet, the numbers need to be set, and the dial code is set according to the device number. The picture above shows the code setting of the 1# device corresponding to the address 1, and order and so on. The dialing position is located in the upper left corner of the device back, and the table above shows the address dialing settings of 1#-8# devices.

Remarks: In Picture22, when the code is pulled to the top, it is ON, represented by the number 0; when it is pulled to the bottom, it is OFF, represented by the number 1

AcFee Active Power Filter

■ System Setting



Picture23 System Setting

Click the parameter you want to set, and a corresponding dialog box will pop up to enter the parameter. More detailed internal control parameter settings have been set before leaving the factory. If it is necessary to change internal control parameters during operation, you should be authorized by manufacturer to enter internal advanced menu to change for device security.

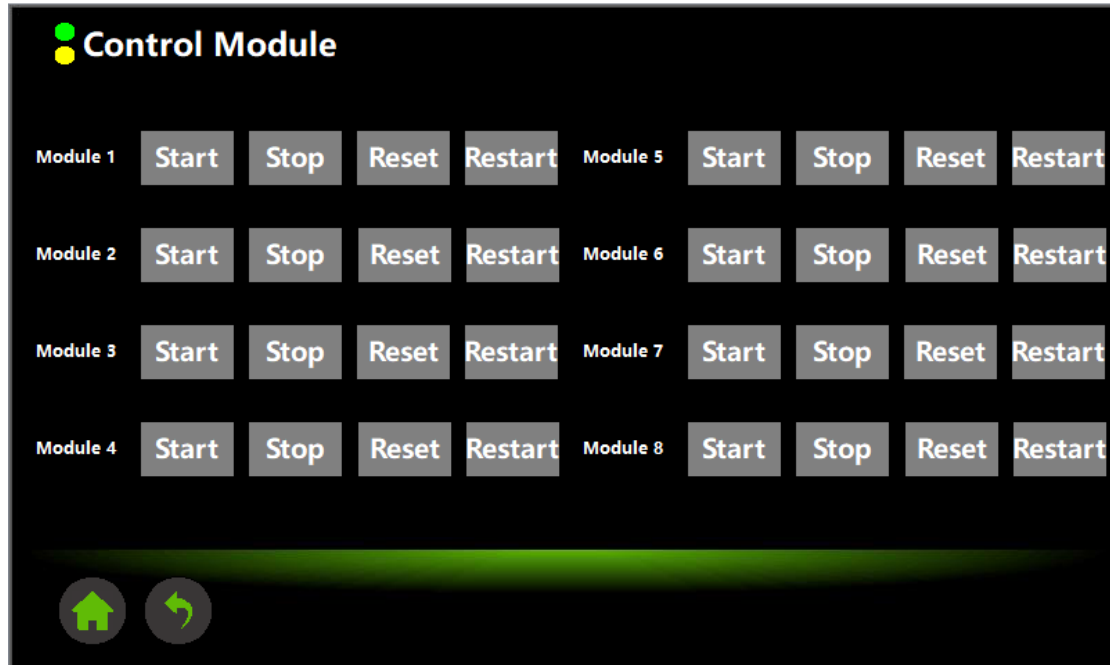
1. Operation Mode: This device is manual operation by default before leaving the factory
2. Transformer Position: The sampling position of the external transformer has two types, “power side” and “load side”, and the external transformer position can be changed by clicking the corresponding option
3. Transformation Ratio of Transformers: The transformation ratio range of the external transformer is [100—10000]:5. For example, the transformation ratio of external transformers is 200:5, and the actual filling result should be

40. After clicking the input box, an input dialog box will pop up. According to the transformation ratio setting, the larger the transformation ratio, the larger the sampling scope and the larger sampling error. (Factory default is 0).
4. Transformer Direction: the current flowing into the device is in the forward direction, while the current flowing out of the device is in the reverse direction.
 5. Parallel number of Units: Set according to the actual number of units running in parallel.
 6. Given Reactive Power: When the compensation mode is set to “reactive power”, “Given reactive” “Given Qa” “Given Qb” “Given Qc” can be used as expert modes for manufactures and special customers, and users are prohibited from selection.
 7. Power Factor: It can be set to 0~99 in corresponding to power factor 0~0.99 when the compensation mode is set to “reactive power”, the operation method is the same as above, click the gray box to enter changed data. The State Grid stipulates that if the power factor is lower than 0.9, a penalty will be charged, if factor is larger than 0.9, rewards will be given. If the fixed power factor is required to run between 0.90 to 0.99, the power factor needs to be set.
 8. Compensation Mode: If “Harmonic” is selected for harmonic compensation, the given reactive and power factor are displayed as 0, and it is the harmonic priority mode. If “reactive power” is selected for reactive power compensation, the given reactive and power factor are

AcFee Active Power Filter

displayed as 0, and it is reactive power priority at this time.

■ Operation Interface



Picture24 Operation Interface

If there is an abnormality in the device and it is in automatic mode, press the “Reset” and “Restart” buttons, and the machine will clear the fault and wait for about 2 minutes before starting itself. If in manual mode, press the “Start” button.

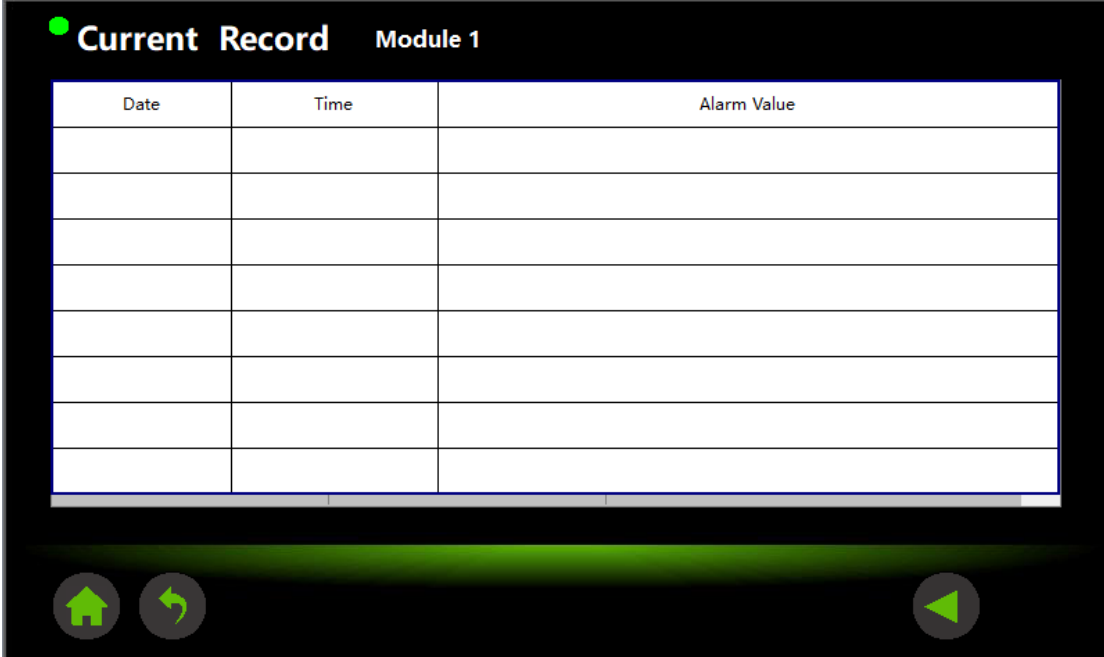
If the machine is in operation and needs to be stopped, press the “Stop” button. If you want to restart the device after finishing, press the “Reset” and “Restart” buttons.

■ Current Record

If there is any abnormality in the device, the fault code will be displayed in the lower right corner of “Module Information”. Query specific exception information through “Current Record” menu. This

AcFee Active Power Filter

page displays various internal and external faults and alarm information records during this power-on process.



Current Record Module 1

Date	Time	Alarm Value

Picture25 Current Record

[Note]:

1. If the user has not clicked to start the device after it is powered on, the device will automatically start and run after 10 minutes.
2. If a fault occurs during operation and the device will automatically shut down, then the device can automatically reboot after the fault disappearing.
3. If the device is directly powered off after being powered on, the current state will be recorded, it will automatically read the parameter settings before powered off when it automatically starts running after it is powered on.

ATTENTION: In order to ensure the device safety and prevent misuse, more control parameter settings have been set before leaving the factory, and will not be disclosed in this manual.

AcFee Active Power Filter

■ History Record

Fault information will be recorded in “History Record” eventually.



Date	Time	Alarm Value

Picture26 History Record

List of Common Faults

This device has the function of maintenance-free. When a fault occurs, the device will automatically reboot after a maximum of 5 minutes.

If the fault still occurs frequently after rebooting, please contact us and we will try our best to troubleshoot for you. For your personal safety, regardless any faults, do not disassemble the device without our permission, and products with damaged warranty label are not covered by the warranty.

Diagram7 Common Faults

NO.	Status Description	NO.	Status Description
0	No event	27	State machine timeout
1	Temporary voltage drop or rise in the grid	28	Assertion detection failure
2	Hardware output overcurrent fault	29	Task data sharing detection failure
3	Hardware bus voltage too high fault	30	High grid voltage fault 1
4	Hardware DC bus overvoltage	31	High grid voltage fault 2
5	Battery voltage too high fault	32	Low grid voltage fault 1
6	Mains power peak voltage too high fault	33	Low grid voltage fault 2
7	No mains power	34	Grid frequency fault
8	Starting busbar voltage too low	35	Code execution detection failure
9	Software output overcurrent fault	36	Reference voltage self test failure
10	Software busbar voltage too high fault	37	PCB temperature too high
11	Software half busbar voltage too high fault	38	Bridge arm IGBT temperature too high
12	Software busbar voltage unbalance fault	39	BUCK BOOST temperature too high

AcFee Active Power Filter

15	AC current offset calibration failed	40	temperature too low
16	AC voltage offset calibration failed	43	Heatsink temperature too high
17	DC current offset calibration failed	44	Output overcurrent
22	Unknow grid type	75	DSP short circuit between drive phases
24	RAM BIT Fault	76	Phase sequence error fault
25	ROM BIT Fault	77	Zero line overcurrent fault
26	CPU BIT Fault	78	Hardware peak overcurrent fault

APF Communication Data Point Table

1. Protocol RS485 MODBUS RTU, Communication Band Rate 9600BPS, Data Bit 8 bits, no check digit, stop bit 1. Support protocol read function code 03.
2. The address and data table of each module in the access screen are as follows:

NO	Content Description	Unit	Range	Remark	1# Module		2# Module		3# Module		4# Module		5# Module		6# Module		7# Module		8# Module	
					10HEX	16HEX	10HEX	16HEX	10HEX	16HEX	10HEX	16HEX	10HEX	16HEX	10HEX	16HEX	10HEX	16HEX	10HEX	16HEX
1	Run Code			See "Fault Code Table"	48	30	148	94	248	F8	348	15C	448	1C0	548	224	648	288	748	2EC
2	Substrate T1	°C	-2000~+2000	Actual Value = Communication Value	49	31	149	95	249	F9	349	15D	449	1C1	549	225	649	289	749	2ED
3	IGBT Model Temperature T2	°C	-2000~+2000	Actual Value = Communication Value	50	32	150	96	250	FA	350	15E	450	1C2	550	226	650	28A	750	2EE
4	System Voltage A Phase	V	0~65535	Actual Value = Communication Value /10	51	33	151	97	251	FB	351	15F	451	1C3	551	227	651	28B	751	2EF
5	System Voltage B Phase	V	0~65535	Actual Value = Communication Value /10	52	34	152	98	252	FC	352	160	452	1C4	552	228	652	28C	752	2F0
6	System Voltage C Phase	V	0~65535	Actual Value = Communication Value /10	53	35	153	99	253	FD	353	161	453	1C5	553	229	653	28D	753	2F1
7	System Current A Phase	A	0~65535	Actual Value = Communication Value /10	54	36	154	9A	254	FE	354	162	454	1C6	554	22A	654	28E	754	2F2
8	System Current B Phase	A	0~65535	Actual Value = Communication Value /10	55	37	155	9B	255	FF	355	163	455	1C7	555	22B	655	28F	755	2F3
9	System Current C Phase	A	0~65535	Actual Value = Communication Value /10	56	38	156	9C	256	100	356	164	456	1C8	556	22C	656	290	756	2F4
10	Device Current A Phase	A	0~65535	Actual Value = Communication Value /10	57	39	157	9D	257	101	357	165	457	1C9	557	22D	657	291	757	2F5

AcFee Active Power Filter

11	Device Current B Phase	A	0~65535	Actual Value = Communication Value /10	58	3A	158	9E	258	102	358	166	458	1CA	558	22E	658	292	758	2F6
12	Device Current C Phase	A	0~65535	Actual Value = Communication Value /10	59	3B	159	9F	259	103	359	167	459	1CB	559	22F	659	293	759	2F7
13	System Power Factor A Phase	%	-100~100		60	3C	160	A0	260	104	360	168	460	1CC	560	230	660	294	760	2F8
14	System Power Factor B Phase	%	-100~100		61	3D	161	A1	261	105	361	169	461	1CD	561	231	661	295	761	2F9
15	System Power Factor C Phase	%	-100~100		62	3E	162	A2	262	106	362	16A	462	1CE	562	232	662	296	762	2FA
16	System Current Aberration Rate A Phase	%			63	3F	163	A3	263	107	363	16B	463	1CF	563	233	663	297	763	2FB
17	System Current Aberration Rate B Phase	%			64	40	164	A4	264	108	364	16C	464	1D0	564	234	664	298	764	2FC
18	System Current Aberration Rate C Phase	%			65	41	165	A5	265	109	365	16D	465	1D1	565	235	665	299	765	2FD
19	Imbalance A Phase	%	0~65535	Actual Value = Communication Value	66	42	166	A6	266	10A	366	16E	466	1D2	566	236	666	29A	766	2FE
20	Imbalance B Phase	%	0~65535	Actual Value = Communication Value	67	43	167	A7	267	10B	367	16F	467	1D3	567	237	667	29B	767	2FF
21	Imbalance C Phase	%	0~65535	Actual Value = Communication Value	68	44	168	A8	268	10C	368	170	468	1D4	568	238	668	29C	768	300
22	Total DC Voltage	V	0~65535	Actual Value = Communication Value	69	45	169	A9	269	10D	369	171	469	1D5	569	239	669	29D	769	301
23	DC Voltage+	V	0~65535	Actual Value = Communication Value	70	46	170	AA	270	10E	370	172	470	1D6	570	23A	670	29E	770	302
24	DC Voltage-	V	0~65535	Actual Value =	71	47	171	AB	271	10F	371	173	471	1D7	571	23B	671	29F	771	303

AcFee Active Power Filter

				Communication Value																
25	Phase A CT Transformation Ratio	/	-30000~+30000	Actual Value = Communication Value	72	48	172	AC	272	110	372	174	472	1D8	572	23C	672	2A0	772	304
26	Heat Sink Temperature	°C	-2000~+2000	Actual Value = Communication Value	73	49	173	AD	273	111	373	175	473	1D9	573	23D	673	2A1	773	305
27	Phase B CT Transformation Ratio	/	-30000~+30000	Actual Value = Communication Value	74	4A	174	AE	274	112	374	176	474	1DA	574	23E	674	2A2	774	306
28	Parallel Number	/	0~65535	Actual Value = Communication Value	75	4B	175	AF	275	113	375	177	475	1DB	575	23F	675	2A3	775	307
29	Reactive Value Settings	kvar	-100~100	Actual Value = Communication Value	76	4C	176	B0	276	114	376	178	476	1DC	576	240	676	2A4	776	308

After-sale Service

The products of our company are guaranteed for 1 year, and the warranty period starts from the date of product sale. If the product faults or the parts are damaged during the warranty period, our company will provide free maintenance after it is identified by our technicians as occurring under normal use.

In the following cases, material costs and maintenance man-hours will be charged:

- Damage caused by not following the instructions in the manual
- Damage caused by unauthorized desoldering of parts or modification
- The operation exceeds the “Three Guarantees” period

Jiangsu Lafaelt Electric Co.,Ltd

Hotline: 400-882-1973

Tel: +86 0510-81811717

Email: marketing@lafaelt.com

Sales Center Add: 2nd Floor, No. 268, Tongxie Road,

Changning District, Shanghai, China

Factory Add: No. 79, Qunxing Road, Xinwu District, Wuxi City,

Jiangsu Province, China

Net: www.lafaelt.cn